



# W<sup>The</sup> Wood Court

Pergola



# Teak Pergola



**Waterproof**



**Dimmable  
Led Lights**



**Custom  
Made**

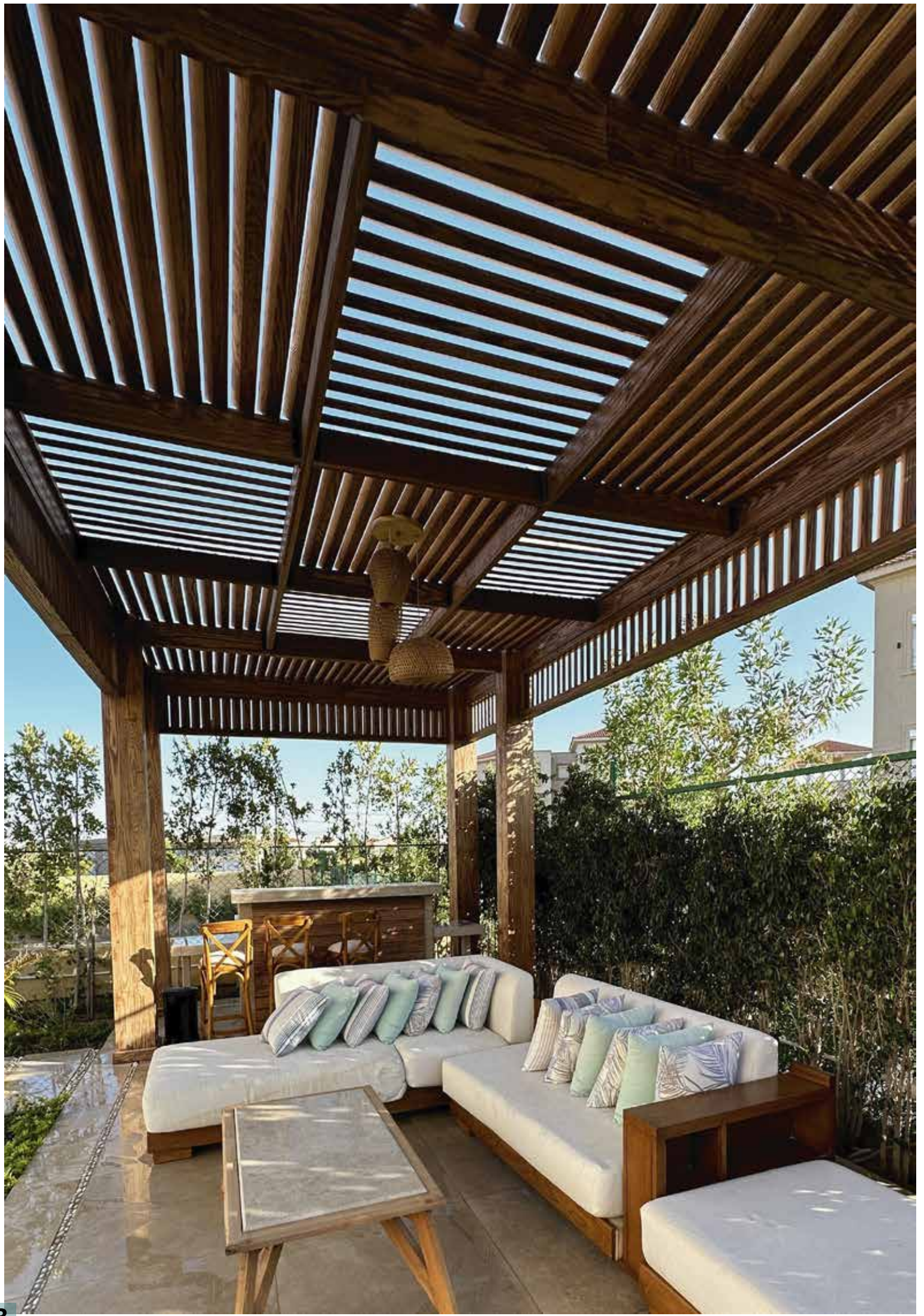


**Teak Wood Pergolas thrive in any weather. Their natural moisture resistance ensures lasting beauty and durability**

### **Color Options**

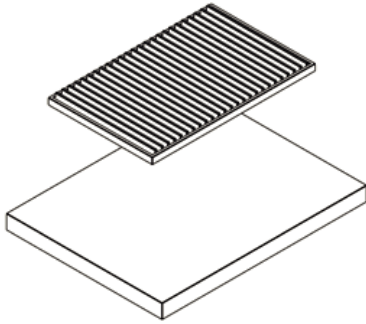




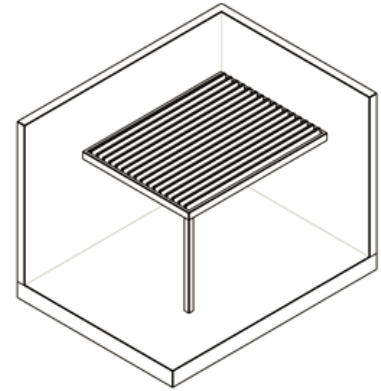




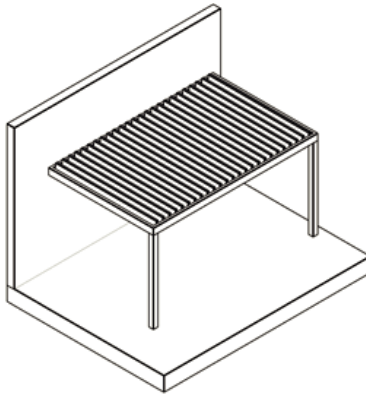
# Configurations



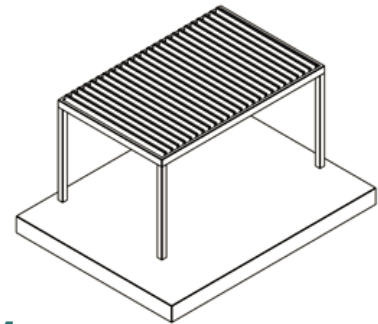
**TYPE 1**  
No poles



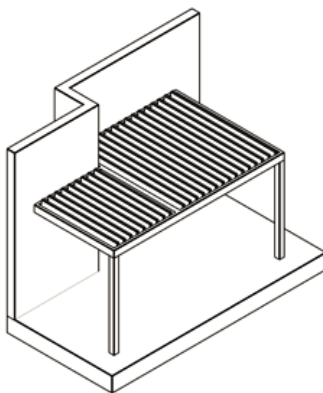
**TYPE 2**  
Wall-mounted blades  
perpendicular to wall



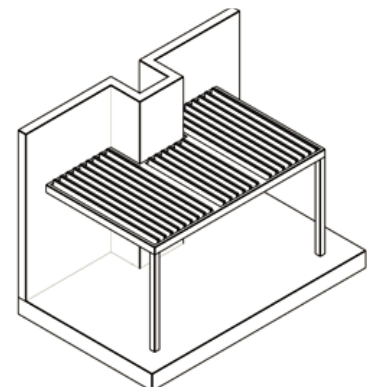
**TYPE 3**  
Wall-mounted on two sides  
blades perpendicular to wall



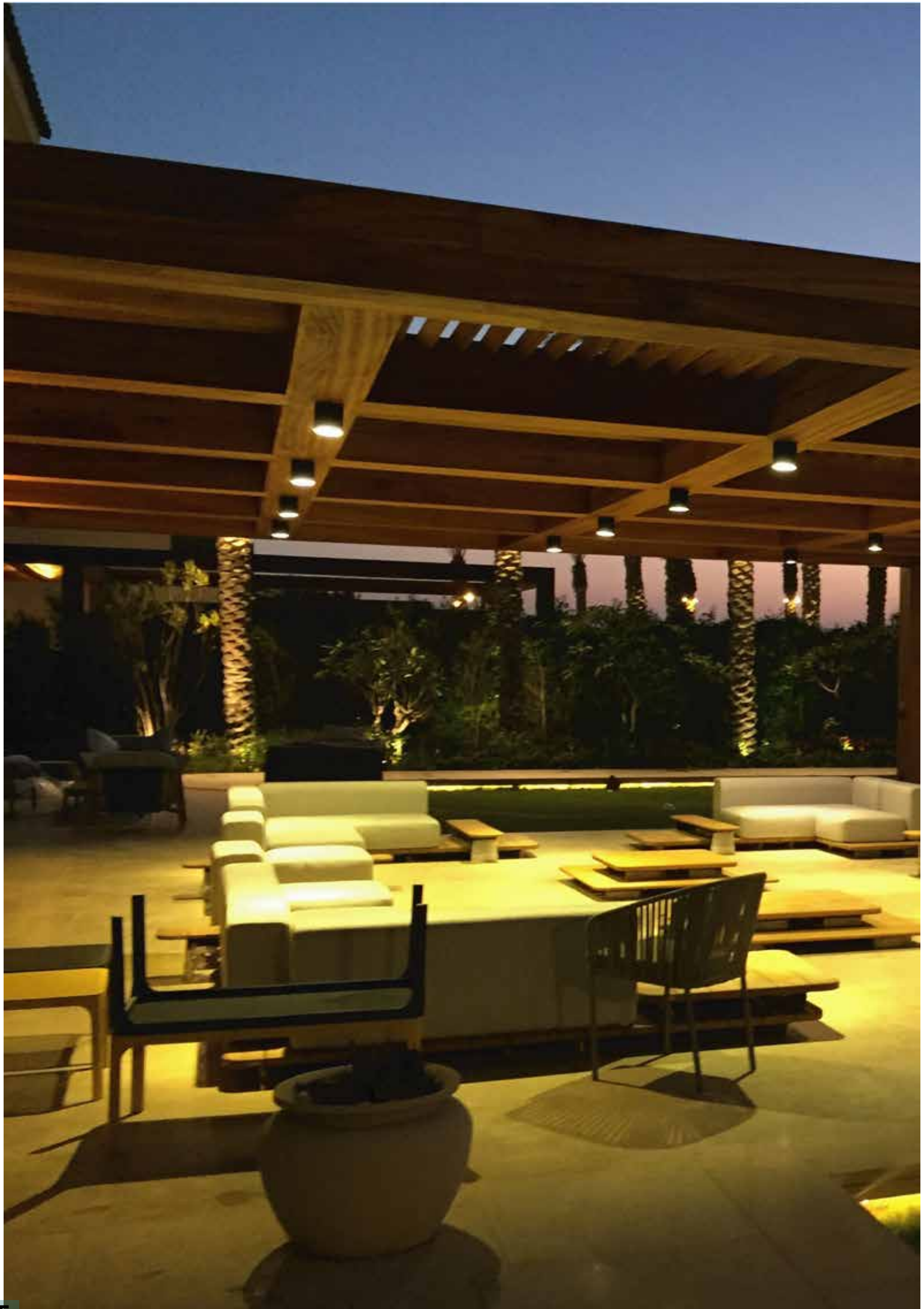
**TYPE 4**  
Self-standing



**TYPE 5**  
Wall-mounted blades  
perpendicular to wall



**TYPE 6**  
Wall-mounted blades  
perpendicular to wall





**All  
Seasons**



**Resist Bad  
Weather**



**Complete  
Blackout**









# Ceiling

**Special ceiling design to enhance privacy**

<b>Flat</b>	
<b>Inclined</b>	
<b>Blocked</b>	









**Our skilled team crafts and installs custom Teak wooden pergolas to your exact specs, ensuring a perfect match for your outdoor space**







# Connections

We **Wood Court** our wooden pergolas to live last, by means of our well educated engineers well trained technicians, and high technology machines. we achieved the highest quality in pergolas production.

fig.1 shows our pergolas column & post connection (45 finger joint connection) which provides light weight & affordable price pergolas.

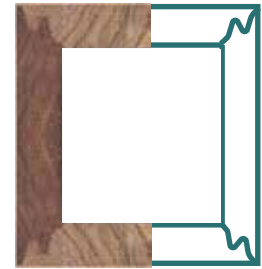


Fig (1)

others are using a traditional connection that fails maximum during 6-12 month after installation. never trust outdoor connections in fig.2 or fig.3

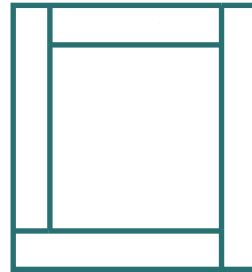


Fig (2)

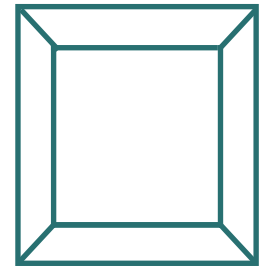
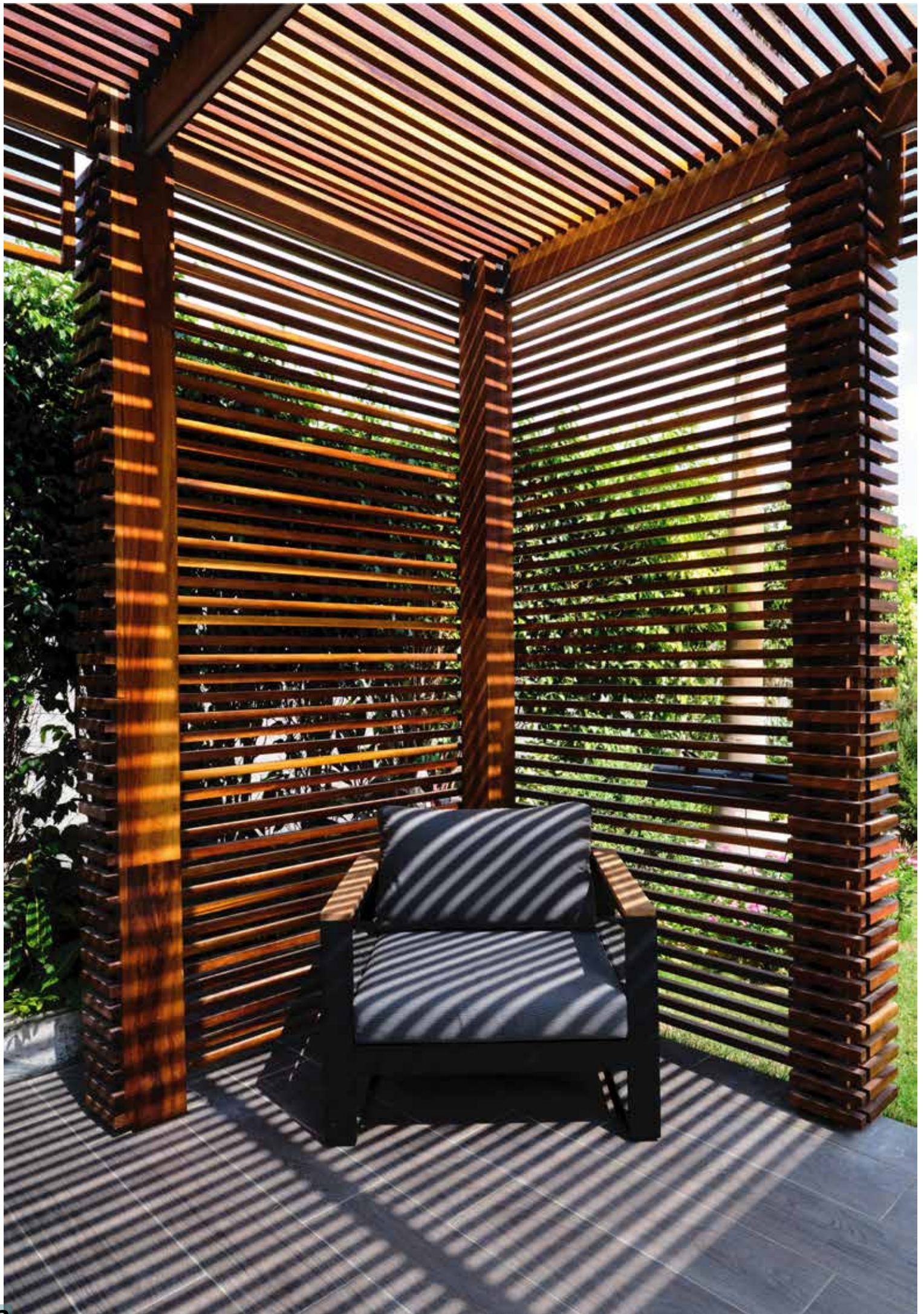


Fig (3)



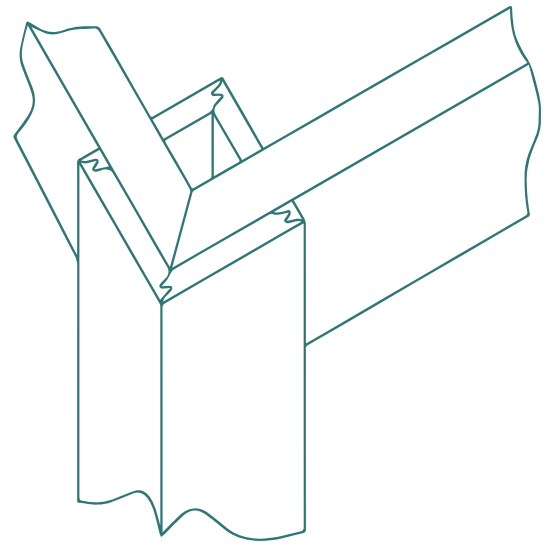




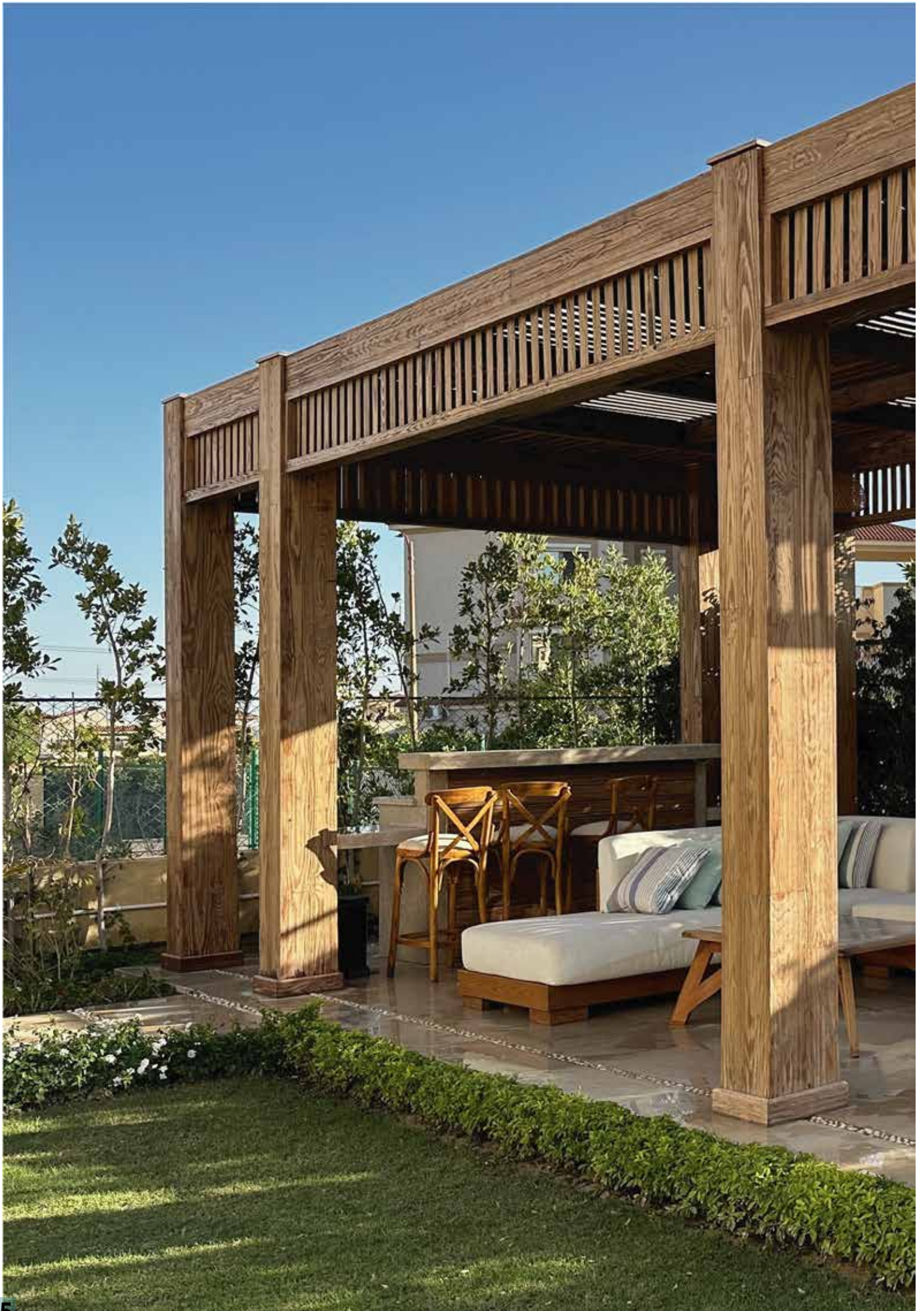


## Perfect Jointing

Nailed-joints, We Don't Use any seen nails or screws in jointing our pergolas elements, when we do we use it in very narrow situations and use only stainless steel screws to avoid rust in the future.















**Customer  
Support**



**Environment  
Friendly**



**Custom  
Designs**

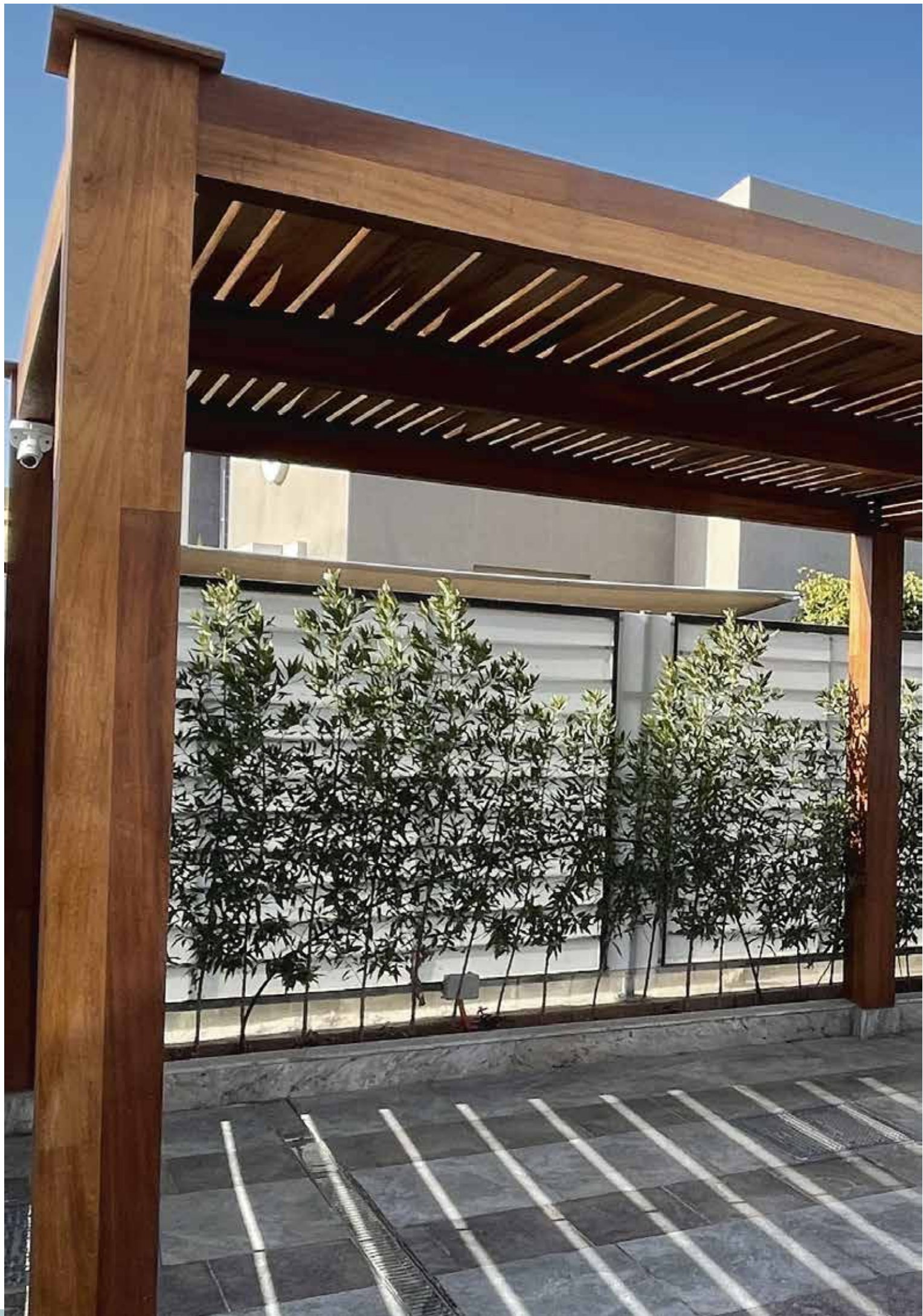




**A space customized to your liking, with multiple functions, aesthetic to decorate the most diverse spaces, all to improve your well-being**











## The Process



### 1. Email Your Drawings

Or call to discuss your ideas and we will produce a quote and CAD drawing for your pergola.

• [info@thewoodcourt.com](mailto:info@thewoodcourt.com)



### 2. Confirm Your Order

Secure manufacturing on your terms with a security deposit



### 3. Site Visit

In-person site visit to measure up and finalise the design and material choices.



### 4. Start Manufacture

Once we are aligned on all elements of the build our team of specialist technician will start hand-crafting your pergola.



### 5. Choose Delivery Option

We work with you or your builder to deliver your hand-crafted product for fitting.



### 6. Install your pergola

We can do this for you, or hand over to your technician or builder to install the product themselves.



# Teak Outdoor

## Stripes



**Anti-Slippery**



**Sun Resisting**



**Resist Bad Weather**



**Custom Made**

**Upgrade your poolside with stylish, durable Teak wood flooring. Its modern stripe design and natural weather resistance ensure lasting beauty in any condition**

## Tiles





# Installation



**Our skilled team crafts and installs custom Teak wood pergolas to your exact specs, ensuring a perfect match for your outdoor space**



**Our experts install minimalist Teak wood pergolas with precision, creating a light, airy feel ideal for modern outdoor spaces.**





scan QR code to get our factory location

8 am to 4 pm from saturday to thursday  
+2 01159111179 - +202 35391004  
+202 35391005  
km 28 cairo - alex desert road  
industrial - zone, aborwash



scan QR code to get our showroom location

10 am to 10 pm from saturday to thursday  
1 pm to 8 pm friday  
+2 01117571111 - +2 01114641111  
81 El Hussein St. From Mohy El Deen  
Aboulezz, Hekma Square, Dokki, Giza

# The Wood Court

pergola, floor .. & more

creates rich & luxurious Floors, pergolas, and more. We use a combination of innovative designs, professional manufacturing teams, and the highest quality natural hardwood and engineered wood to make your life more comfortable.

thewoodcourt.com info@thewoodcourt.com

@thewoodcourt @thewoodcourt



Instagram Page



Facebook Page



Website